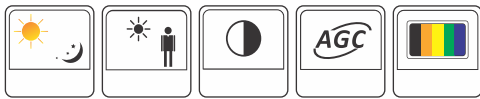
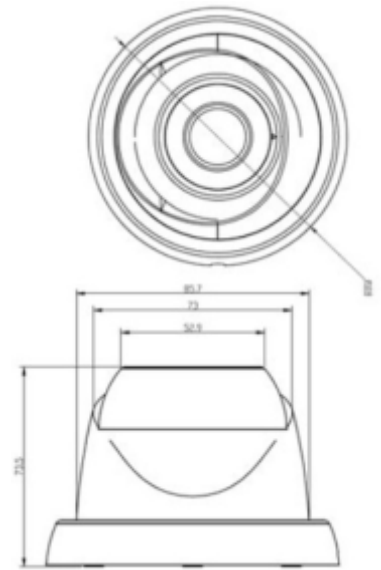




5.0MP AHD CV-HDC-05P20-I

- 1-3" 5.0MP hd Pro Image Sensor
- IR Indoor Camera
- 5MP Resolution (2560*1920)
- 3.6mm HD Lens(6,8mm Optional)
- Smart IR LED / up to 20Mtr.
- UTC Supported



Feature	Specification
Image Sensor	1-3" 5.0MP hd Pro Image Sensor
minimum illumination	Color(0.1Lux), (0Lux IR LED on)
Shutter Speed	1/50s(1/60s)-1/100,000s (Auto/Fixed)
White balance	Auto
Lens	3.6mm
Gain Control(AGC)	Auto
Back Light Compensation	Auto
S/N Ratio	>41dB
Resolution	5.0MP
Video Output	1.0Vp-p Composite Output(75om/BNC), HD-AHD(1920P)/HD-TVI(1920P)/HD-CVI(1920P)/CVBS (SUPPORTS ON ALL MAJOR FORMATS OF DVR)
Frame Rate	30fps(60Hz), 25fps(50Hz)
ICR	Supports
WDR	DWDR
Gamma Correction	0.45
OSD	Supports
IR	IP Range of 20Mtr.
No. of IR LEDs	12Pcs
Operating Temperature	-20C ~ +50C
Humidity	10%~90% (Humidity), <95% RH no dew
Power Source	DC12V(+/-15%)
Power Consumption	0.4W(2.5W After IR LED Powered on)
Weatherproof Standard	IP66
Dimension	154.6mm*71mm*71mm
Weight	0.250Kg

AHD DOME CAMERA



Marketed & Serviced in India by:

CONSOL.INFO

Merchandiser in Security & Surveillance Products

H.O.: House No. 67/2, Ground Floor, Wazir Hasan Raod, Hajratganj, Lucknow-226001, U.P., India.

B.O.: 5, 8, Naza Market Basement, Lalbagh, Lucknow-226001, U.P. India.

S.C.: 1, House No. 67/2, Ground Floor, Wazir Hasan Road, Hajratganj, Lucknow-226001, U.P., India.

For Support: ☎ +91-98382 98381 🌐 www.consol.info | ✉ consolko@gmail.com | Follow us:



VOCAL
FOR LOCAL